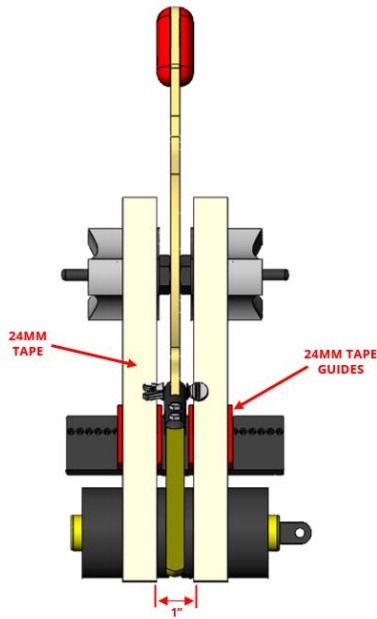


**CAPABILITIES:**

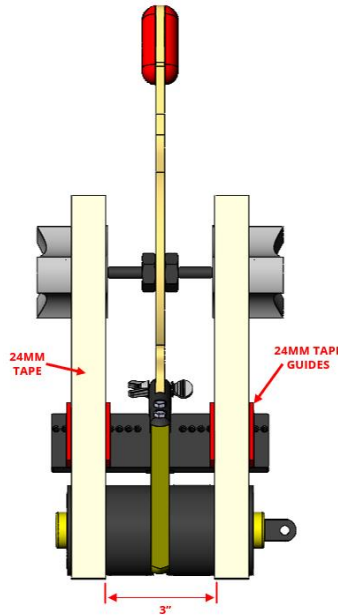
- **Versatile Tape Application:** Apply masking or vinyl tape efficiently for both temporary and permanent use.
- **Precision Line Application:** Achieve parallel straight lines effortlessly on various indoor or outdoor surfaces.
- **Curved Line Precision:** Utilize the Radius Tool (available separately) to precisely apply evenly spaced curved lines with accuracy.
- **Quality Seal Creation:** Ensure a high-quality seal between the tape and the application surface for optimal performance.
- **Guided Operation:** Easily follow guidelines or existing lines, ensuring consistent and accurate tape application.
- **Tape Compatibility:** Accommodate tape sizes ranging from 3/4" up to 2" and 18MM up to 48MM with available tape guides, providing flexibility in application.

**TECHNICAL SPECIFICATIONS:**

**Minimum Line Width**



**Maximum Line Width**



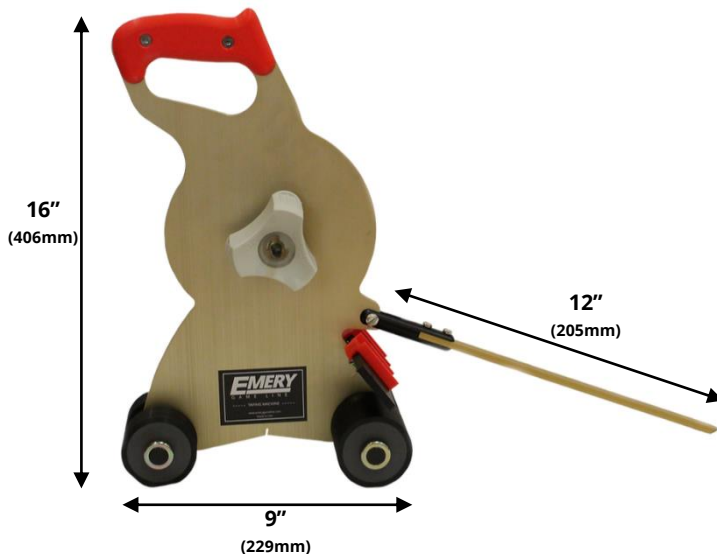
**Alternate Tape Guide Sizes  
(SOLD SEPARATELY)**

| SIZE   | PART NUMBER |
|--------|-------------|
| 18MM   | TM000-GM18  |
| 24MM   | TM000-GM24  |
| 36MM   | TM000-GM36  |
| 48MM   | TM000-GM48  |
| 3/4"   | TM000-GI075 |
| 1"     | TM000-GI100 |
| 1 1/2" | TM000-GI150 |
| 2"     | TM000-GI200 |

\*Alternate tape guide sizes change the minimum and maximum line width.

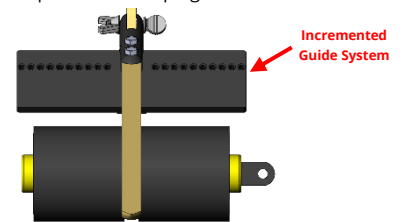
**Machine width:** 7" (178mm)

**Machine weight:** 7.0 lb (3.18 kg)



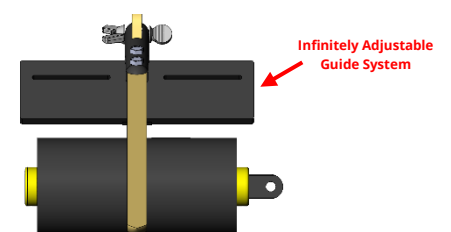
**Machine with 1/4" Incremented Guide System (TM100-015)**

Allows for quick changes between 1", 1 1/2", 2", 2 1/2", and 3" line widths. No measurement is required to set tape guides to correct line width.

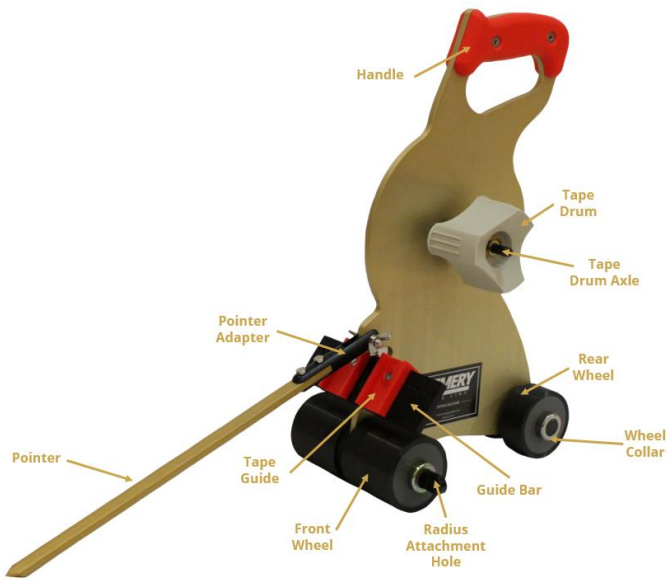


**Machine with Infinitely Adjustable Guide System (TM100-016)**

Tape Guides can be moved anywhere on the Guide Bar to set metric or custom line widths. Allows the operator flexibility when setting line width.



**TM100 PARTS:**



| <b>PARTS KIT (Sold Separately)</b>                                    | <b>PART NUMBER</b> |
|---|--------------------|
| Handles and Mounting Hardware   | PP-001             |
| Tape Drums and Axle Assembly, 6" TM100                                | PP-002             |
| Set of Rear TM100 Wheels (1")   | PP-004             |
| Set of Front TM100 Wheels (2 3/8")                                    | PP-005             |
| Wheel Collar Assembly   | PP-006             |
| Pointer and Adapter Assembly  | PP-007             |
| Pointer (12")   | TM000-013          |
| TM100 Guide System Assembly, 1/4" Incremented.<br>(For TM100-015)     | PP-009-01          |
| TM100 Guide System Assembly, Infinitely Adjustable<br>(For TM100-016) | PP-009-02          |
| Tape Guide Mounting Hardware (4 sets)                                 | PP-010             |

**TM000-R24 RADIUS TOOL (SOLD SEPARATELY):**

- The Radius Tool is used for creating circles and arcs.
- Minimum radius is 2ft. Maximum radius is 24ft.

