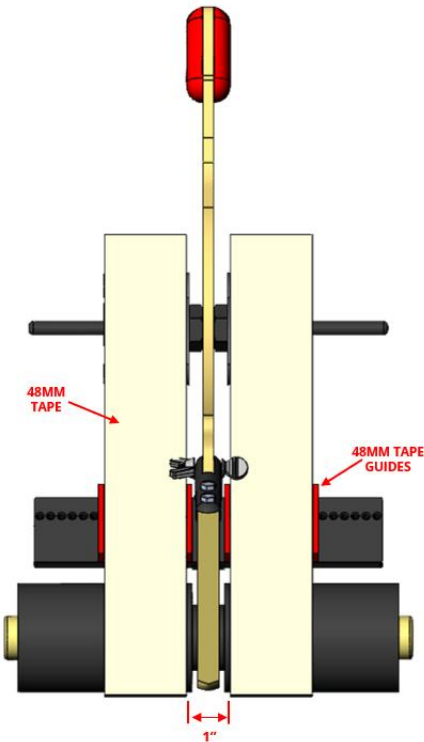


### CAPABILITIES:

- **Versatile Tape Application:** Apply masking or vinyl tape efficiently for both temporary and permanent use.
- **Precision Line Application:** Achieve parallel straight lines effortlessly on various indoor or outdoor surfaces.
- **Quality Seal Creation:** Ensure a high-quality seal between the tape and the application surface for optimal performance.
- **Guided Operation:** Easily follow guidelines or existing lines, ensuring consistent and accurate tape application.
- **Tape Compatibility:** Accommodate tape sizes ranging from 3/4" up to 3" and 18MM up to 48MM with available tape guides, providing flexibility in application.

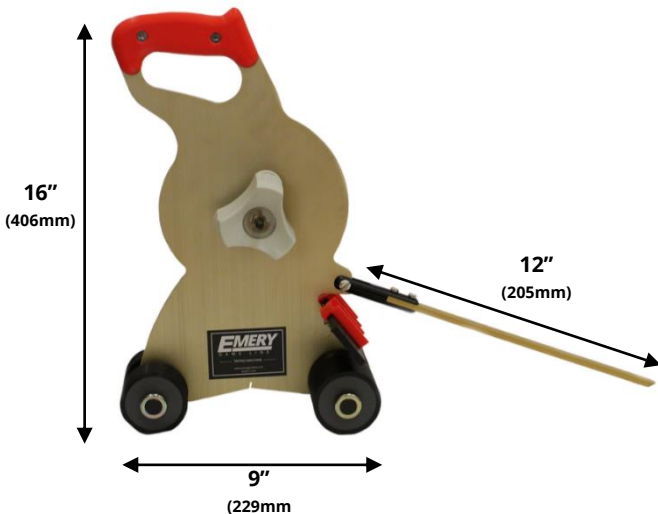
### TAPE & LINE WIDTH SPECS:

Minimum Line Width

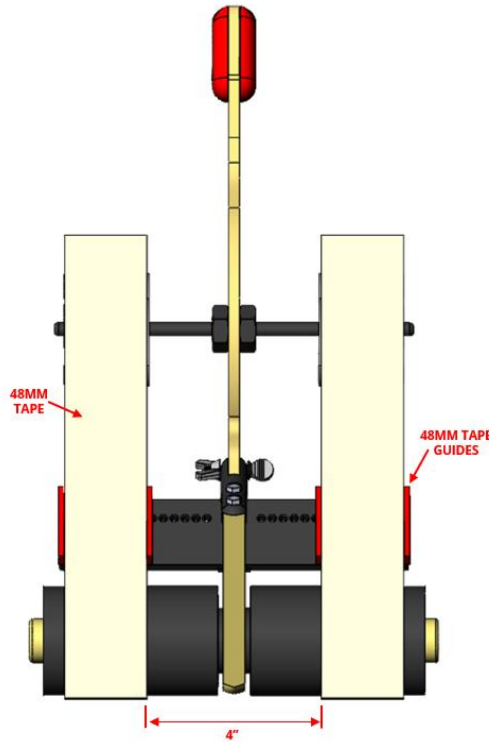


Machine width: 7" (178mm)

Machine weight: 8.2 lbs (3.72 kg)



Maximum Line Width



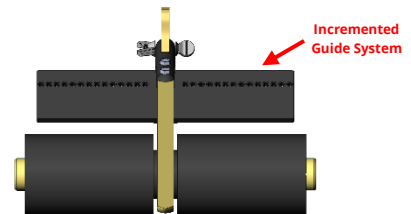
Alternate Tape Guide Sizes  
(SOLD SEPARATELY)

SIZE	PART NUMBER
18MM	TM000-GM18
24MM	TM000-GM24
36MM	TM000-GM36
48MM	TM000-GM48
3/4"	TM000-GI075
1"	TM000-GI100
1 1/2"	TM000-GI150
2"	TM000-GI200
3"	TM000-GI300

\*Alternate tape guide sizes change the minimum and maximum line width.

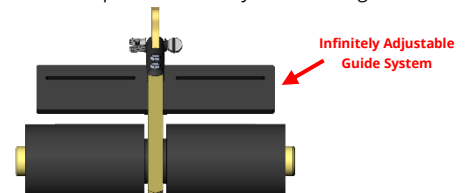
### Machine with 1/4" Incremented Guide System (TM100-017)

Allows for quick changes between 1", 1 1/2", 2", 2 1/2", 3", 3 1/2", and 4" line widths. No measurement is required to set tape guides to correct line width.

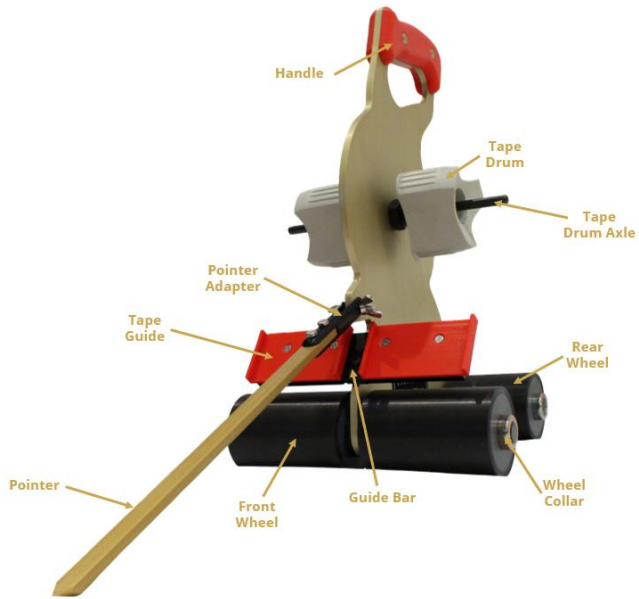


### Machine with Infinitely Adjustable Guide System (TM100-018)

Tape Guides can be moved anywhere on the Guide Bar to set metric or custom line widths. Allows the operator flexibility when setting line width.



**TM200 PARTS:**



<b>PARTS KIT</b>	<b>PART NUMBER</b>
Handles and Mounting Hardware	PP-001
Tape Drums and Axle Assembly, 8" TM200	PP-003
Set of Front TM200 Wheels (4")	PP-013
Set of Rear TM200 Wheels (3")	PP-012
Wheel Collar Assembly	PP-006
Pointer and Adapter Assembly	PP-007
Pointer (12")	TM000-013
TM200 Guide System Assembly, 1/4" Incremented. (For TM100-017)	PP-009-03
TM200 Guide System Assembly, Infinitely Adjustable (For TM100-018)	PP-009-04
Tape Guide Mounting Hardware (4 sets)	PP-010