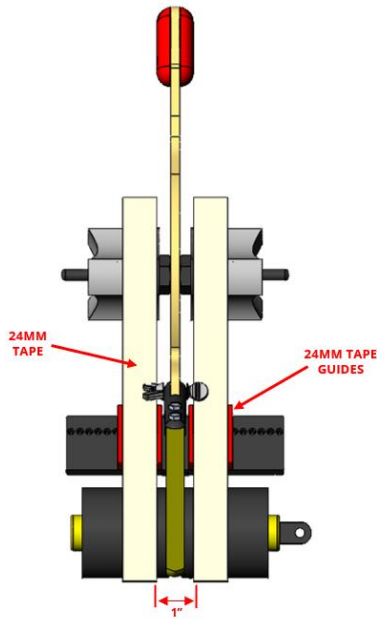


**CAPABILITIES:**

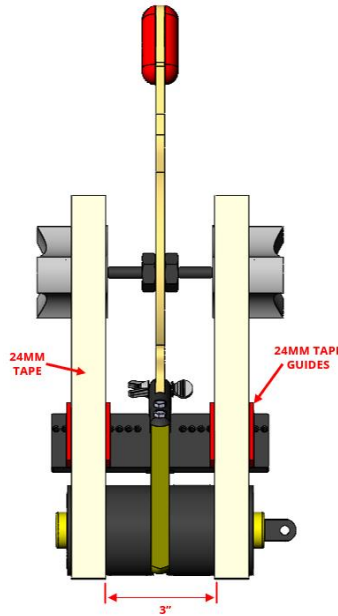
- **Versatile Tape Application:** Apply masking or vinyl tape efficiently for both temporary and permanent use.
- **Precision Line Application:** Achieve parallel straight lines effortlessly on various indoor or outdoor surfaces.
- **Curved Line Precision:** Utilize the Radius Tool (available separately) to precisely apply evenly spaced curved lines with accuracy.
- **Quality Seal Creation:** Ensure a high-quality seal between the tape and the application surface for optimal performance.
- **Guided Operation:** Easily follow guidelines or existing lines, ensuring consistent and accurate tape application.
- **Tape Compatibility:** Accommodate tape sizes ranging from 3/4" up to 2" and 18MM up to 48MM with available tape guides, providing flexibility in application.

**TECHNICAL SPECIFICATIONS:**

**Minimum Line Width**



**Maximum Line Width**



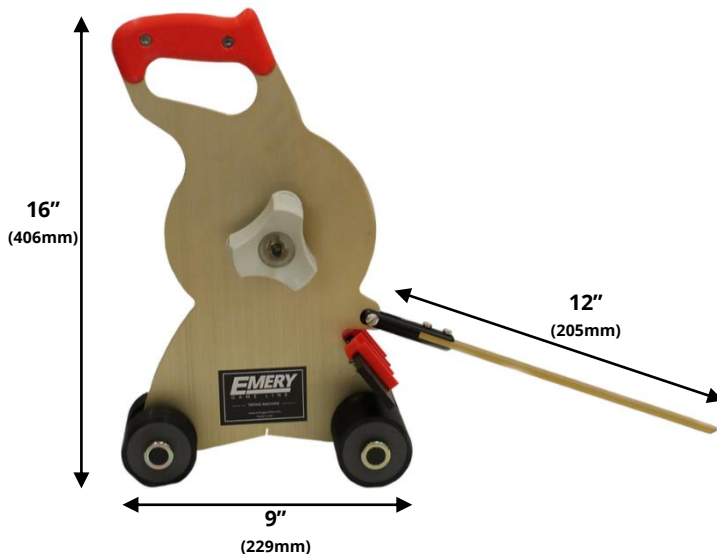
**Alternate Tape Guide Sizes  
(SOLD SEPARATELY)**

SIZE	PART NUMBER
18MM	TM000-GM18
24MM	TM000-GM24
36MM	TM000-GM36
48MM	TM000-GM48
3/4"	TM000-GI075
1"	TM000-GI100
1 1/2"	TM000-GI150
2"	TM000-GI200

\*Alternate tape guide sizes change the minimum and maximum line width.

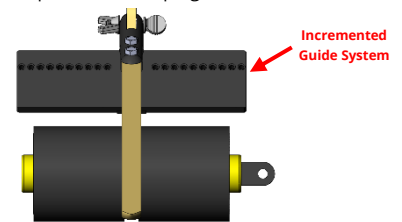
**Machine width: 7" (178mm)**

**Machine weight: 7.0 lb (3.18 kg)**



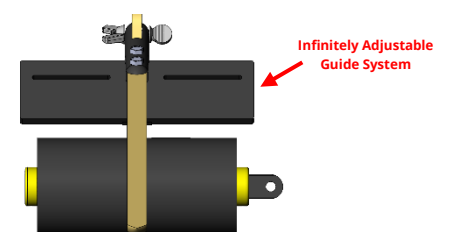
**Machine with 1/4" Incremented Guide System (TM100-015)**

Allows for quick changes between 1", 1 1/2", 2", 2 1/2", and 3" line widths. No measurement is required to set tape guides to correct line width.

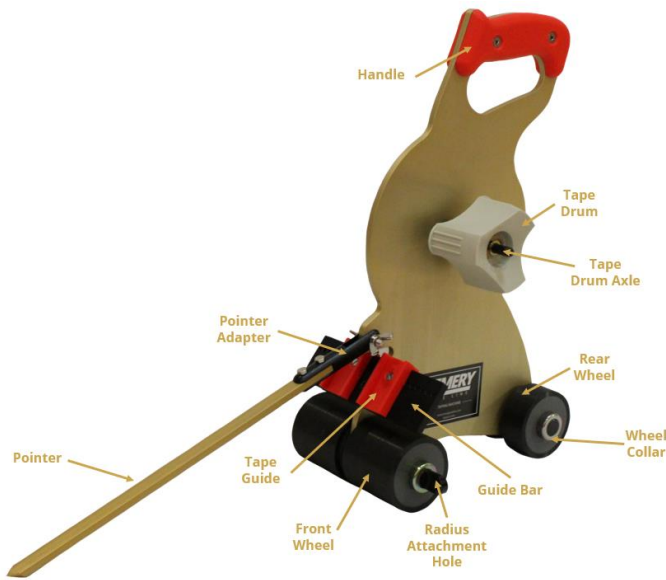


**Machine with Infinitely Adjustable Guide System (TM100-016)**

Tape Guides can be moved anywhere on the Guide Bar to set metric or custom line widths. Allows the operator flexibility when setting line width.



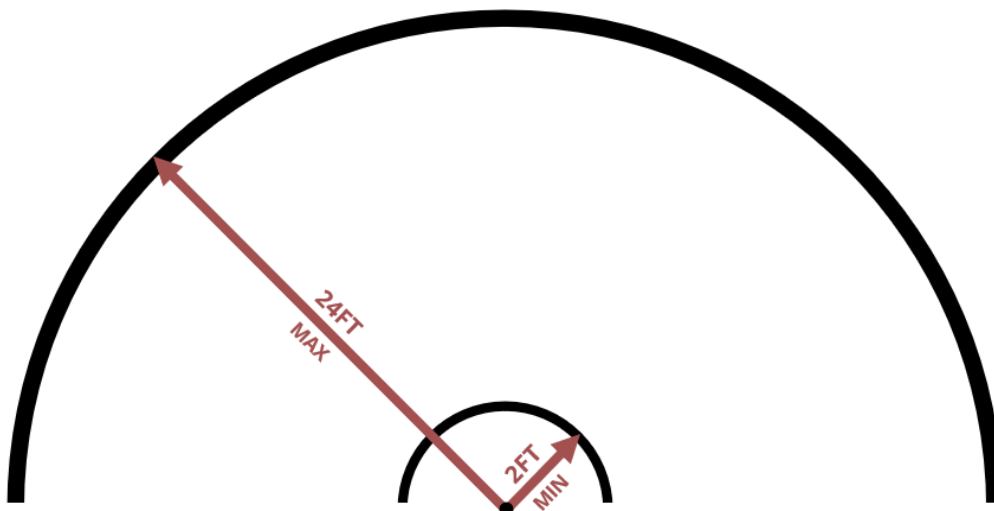
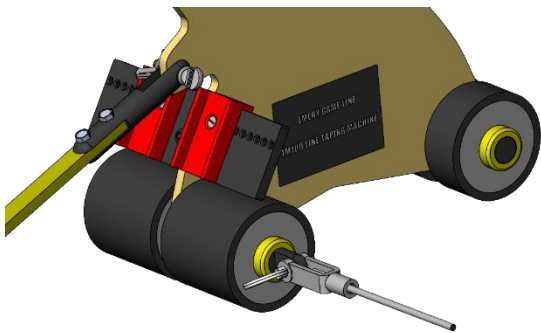
**TM100 PARTS:**



<b>PARTS KIT (Sold Separately)</b>	<b>PART NUMBER</b>
Handles and Mounting Hardware	PP-001
Tape Drums and Axle Assembly, 6" TM100	PP-002
Set of Rear TM100 Wheels (1")	PP-004
Set of Front TM100 Wheels (2 3/8")	PP-005
Wheel Collar Assembly	PP-006
Pointer and Adapter Assembly	PP-007
Pointer (12")	TM000-013
TM100 Guide System Assembly, 1/4" Incremented. (For TM100-015)	PP-009-01
TM100 Guide System Assembly, Infinitely Adjustable (For TM100-016)	PP-009-02
Tape Guide Mounting Hardware (4 sets)	PP-010

**TM000-R24 RADIUS TOOL (SOLD SEPARATELY):**

- The Radius Tool is used for creating circles and arcs.
- Minimum radius is 2ft. Maximum radius is 24ft.



\*TM000-R33 RADIUS TOOL ALSO AVAILABLE (33FT MAX - 2FT MIN)